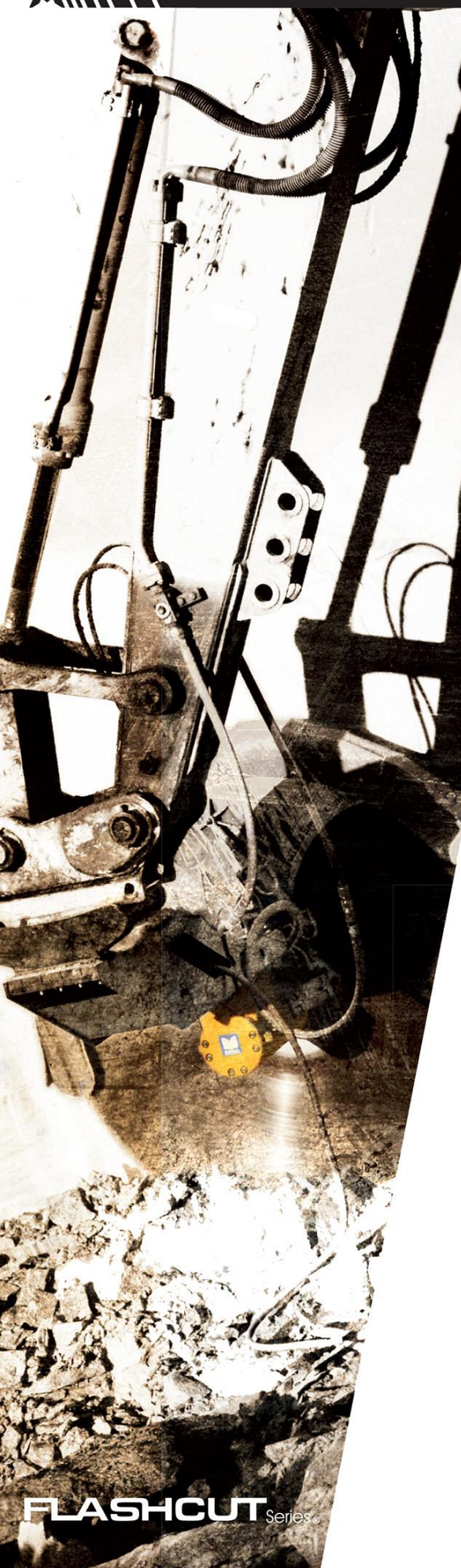




FLASHCUT 2200 RM®
HYDRAULIC DIAMOND ROCK SAW FOR EXCAVATORS

Suit 15 to 30 tonne



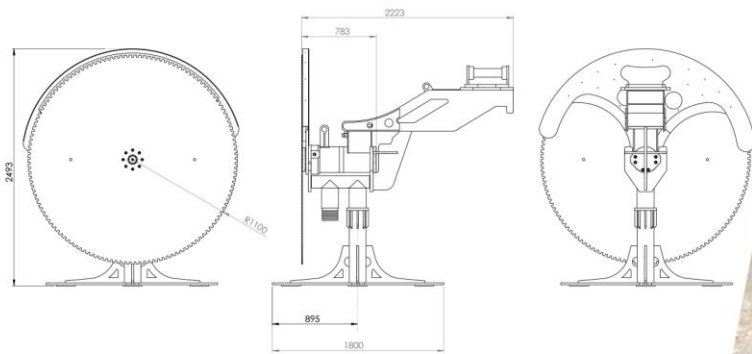
FLASHCUT Series



AUSTRAMAC
OFFICIAL DISTRIBUTOR FOR AUSTRALIA

Austramac Australia Pty Ltd

77 Lakemba street, Belmore NSW 2192
Phone: (02) 9099 9774
Email: info@austramac.com.au



FLASHCUT 2200 RM. FOR ROCK AND CONCRETE

Operating weight	870 kg
Base machine weight	15 to 22 tonne
Blade diameter	2200 mm
Thickness of cutting	13 mm
Max. Depth of cutting	957 mm
Max. Hydraulic flow	210 l / min
Min. Hydraulic flow	125 l / min
Max. Hydraulic pressure	Relief valve
Ideal working pressure	210 bar
Min. Hydraulic pressure required	170 bar
Rotating stand	Standard
Warranty	12 Months

