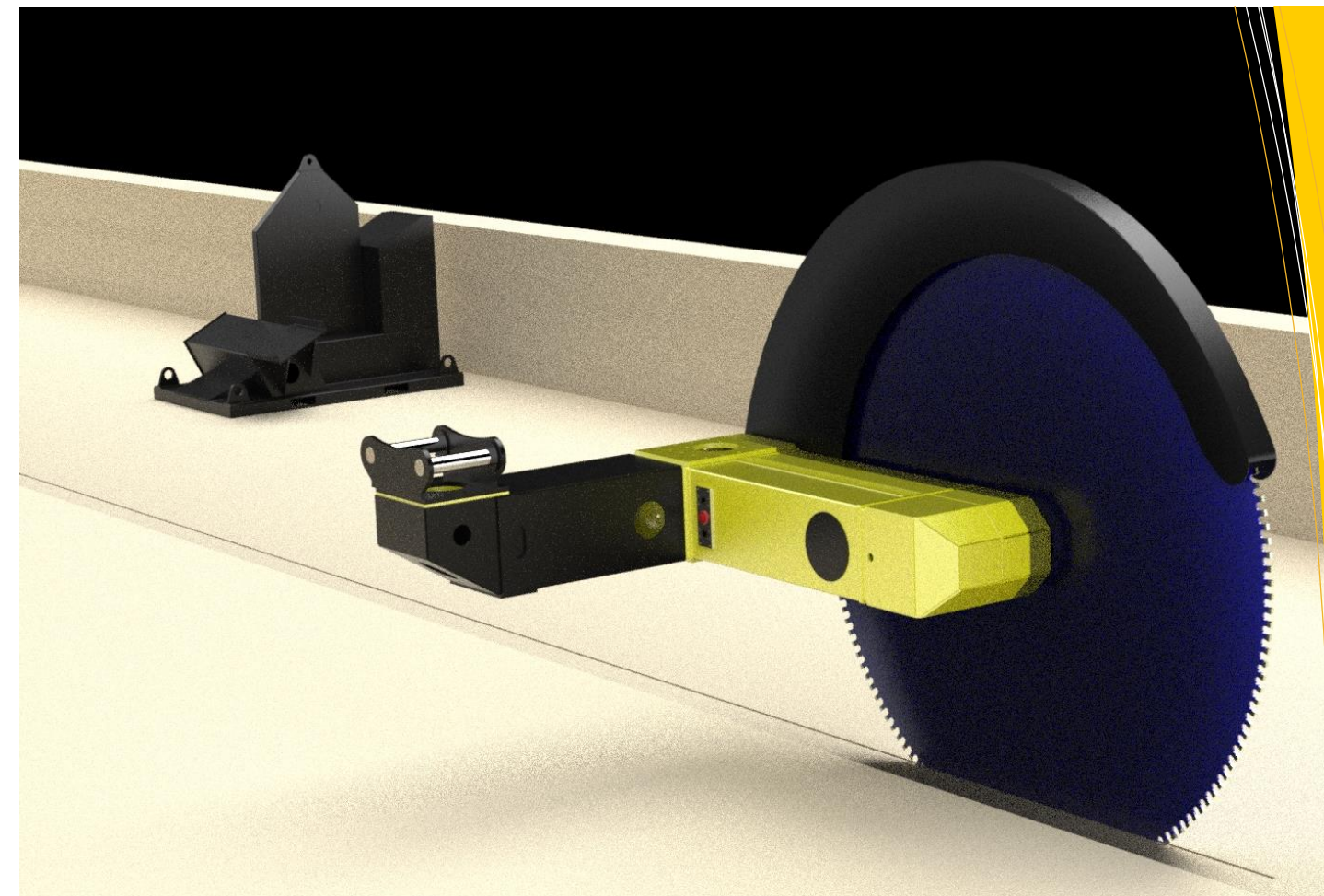


# AUSTRAMAC®

## FLASHCUT Series 3000 TUNNEL

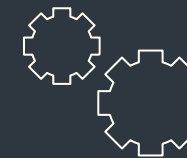
### Technical Specifications

Diameter Blade:	3,000 mm
Max depth of cut:	1,275 mm
Weight with stand :	2,578KG
Weight without stand :	1,819 KG
Minimum size excavator :	30 Ton
Ideal size excavator :	35 to 45 Ton
Max Continuous working pressure:	250 BAR
Peak pressure:	350 BAR
Minimum flow required:	280 l/m
Ideal Working Flow:	330 l/m
Displacement :	800 cc
Type of Motor:	Radial Piston
Case Drain:	Required
Type of transmission:	Direct



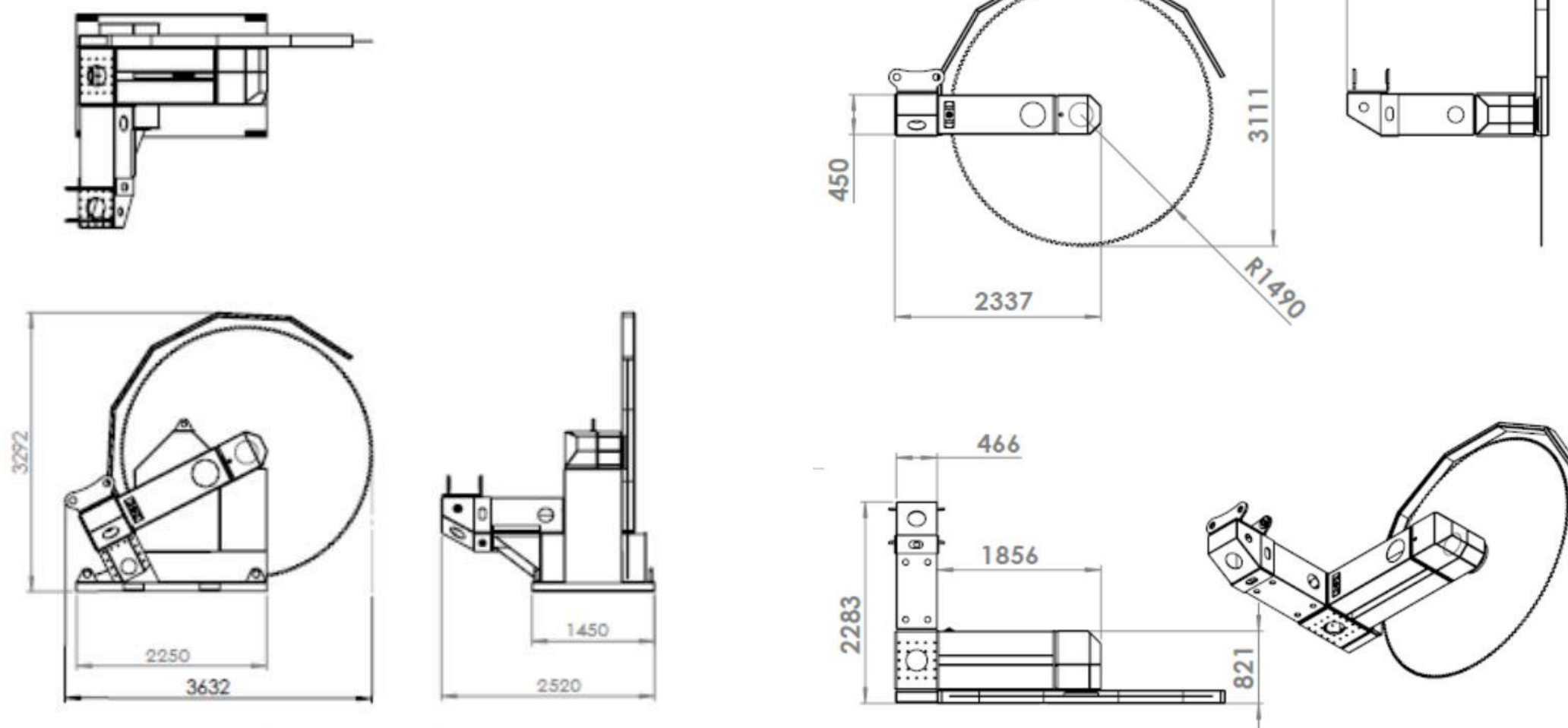
**Hydraulic Diamond Rock saw attachment  
for relatively low ceiling height (tunnelling)**

**For Excavators 30 to 50 Ton**



## CUSTOM SOLUTIONS

We offer Customized modifications  
To our standard design.



Austramac Australia Pty Ltd

77 Lakemba street, Belmore NSW 2192  
Phone: (02) 9099 9774  
Email: [info@austramac.com.au](mailto:info@austramac.com.au)